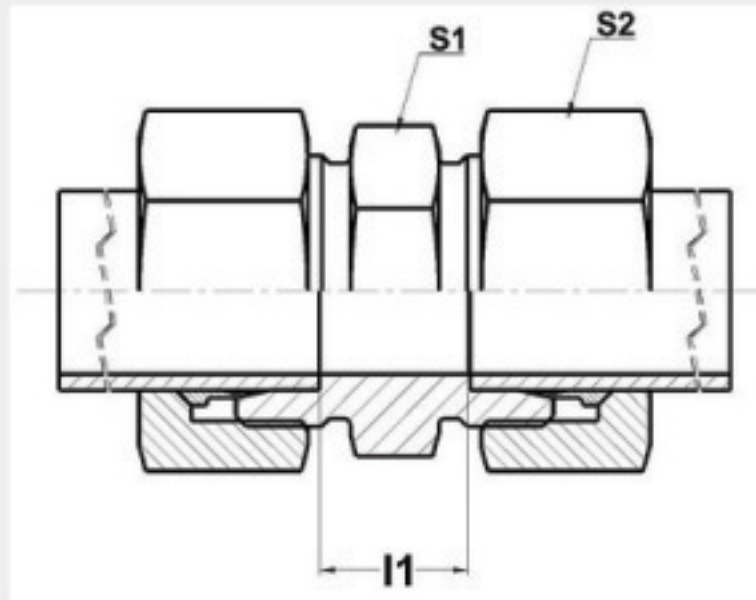


METRIC BITE TYPE FITTINGS

G - STRAIGHT COUPLING



ORIENT ENGINEERING WORKS

Part No.	Series	Tube OD	S1	S2	I1
G 06-L	Light-250 Bar	6	12	14	10
G 08-L	Light-250 Bar	8	14	17	11
G 10-L	Light-250 Bar	10	17	19	13
G 12-L	Light-250 Bar	12	19	22	14
G 15-L	Light-250 Bar	15	24	27	16
G 18-L	Light-160 Bar	18	27	32	16
G 22-L	Light-160 Bar	22	32	36	20
G 28-L	Light-100 Bar	28	41	41	21
G 35-L	Light-100 Bar	35	46	50	20
G 42-L	Light-100 Bar	42	55	60	21
G 06-S	Heavy-630 Bar	6	14	17	16
G 08-S	Heavy-630 Bar	8	17	19	18
G 10-S	Heavy-630 Bar	10	19	22	17
G 12-S	Heavy-630 Bar	12	22	24	19
G 14-S	Heavy-400 Bar	14	24	27	22
G 16-S	Heavy-400 Bar	16	27	30	21